

AMBIT-18

COMMERCIAL LOUDSPEAKERS

Surface Mount Loudspeaker



PRODUCT OVERVIEW

AMBIT-18 is a compact 2-way coaxial loudspeaker cabinet with neutral and discreet design. It mounts an 8" woofer and a 1.18" dome tweeter and it's suitable for low and high impedance lines. It is ready for indoor and outdoor applications, thanks to its aluminium grill and UV protection treatment (IP54-rated). Wall mount accessories and safety sling are included for an easy and secure installation.

KEY FEATURES

- ABS 2-way architectural loudspeaker.
- 8" woofer / 1.18" dome tweeter.
- Built-in audio transformer for 100V applications.
- 8Ω and 70/100V operation selector.
- Available in black (RAL9005) and white (RAL9016) colours.
- Spring loaded input terminals.
- IP54 rated.
- Anti UV cabinet avoids colour degradation in case of direct sunlight exposition.
- Waterproof rubber cover for connectors included.
- [EASE files available.](#)



APPLICATIONS

- Retail
- Corporate
- Sports & Wellness
- Hospitality

TECHNICAL SPECIFICATIONS

AMBIT-18

System	
Effective frequency range ¹	75Hz-20kHz (-10dB)
Coverage angle ²	125°x120° (HxV)
Power handling	100W RMS / 400W Peak
Sensitivity ³	90dB (1W/1m)
Maximum SPL ⁴	110dB continuous / 116dB peak
Power options	100V: 60W / 30W / 15W / 7.5W / 8Ω 70V: 30W / 15W / 7.5W / 3.75W / 8Ω
Recommended amplifier power	200W RMS
Transducers	
Ways	2-ways, full range
Low frequency driver	8" Woofer
High frequency driver	1.18" Dome Tweeter
Nominal impedance	8Ω
Filters	
Crossover filter	2 KHz
Physical	
Connection type	Spring loaded input terminals
Installation options	Surface (wall mount)
Environmental	IP54 rated
Enclosure material	ABS plastic
Grille material	Aluminium
Operating temperature	Min: 0°C; 32°F Max: 35°C; 95°F
Operating humidity	<85% HR
Storage temperature	Min: -10°C; 14°F Max: 50°C ; 122°F
Storage humidity	<90% HR
Included accessories	Includes on-wall hardware, safety sling, screws and wrench for fast installation, and waterproof rubber cover for connectors
Finished colour	White (RAL 9016) / Black (RAL 9005)
Dimensions (WxHxD)	258 x 258 x 225 mm / 10.16 x 10.16 x 8.86 in.
Weight	5.6 Kg / 12.35 lb
Pieces per box	2
Shipping dimensions (WxHxD)	310 x 310 x 500 mm / 12.20 x 12.20 x 19.69 in
Shipping weight	12.10 Kg. / 26.68 lb.

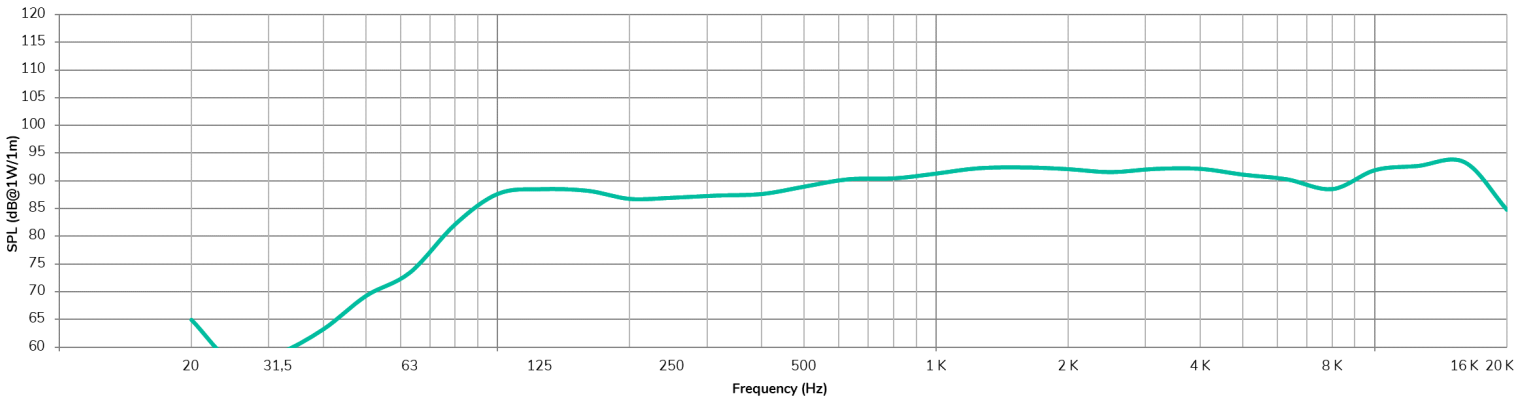
¹10dB below the sound pressure level at specified sensitivity

²6dB below the sound pressure level than that at the direction of maximum level, Average from 1 kHz to 4 kHz.

³Measured on-axis, 2,83V, far field and referenced to 1 meter by inverse square law. Average from 100 Hz to 10 kHz.

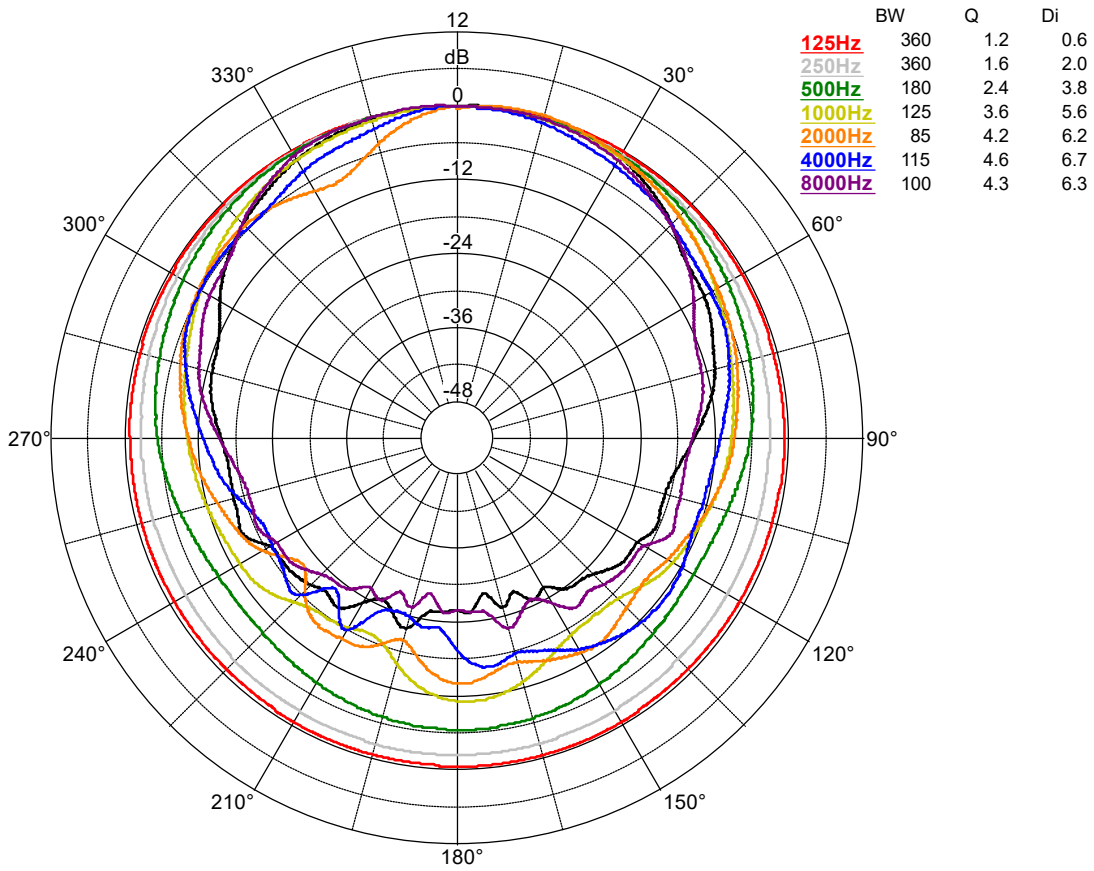
⁴Calculated from sensitivity and power handling specifications, exclusive of power compression.

FREQUENCY RESPONSE ON-AXIS

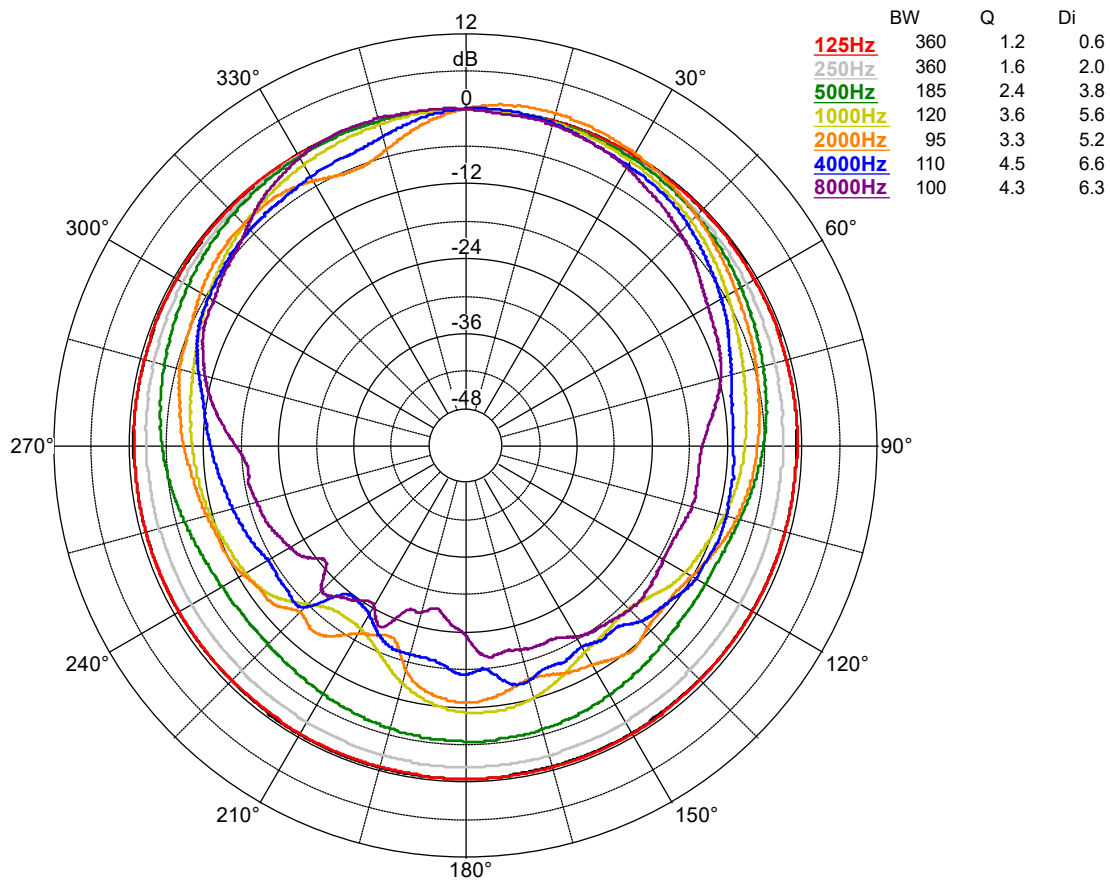


POLAR DIAGRAMS

HORIZONTAL



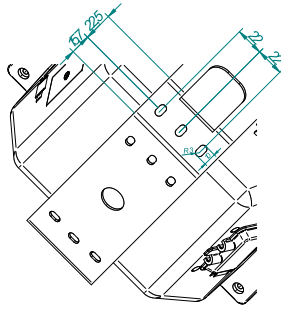
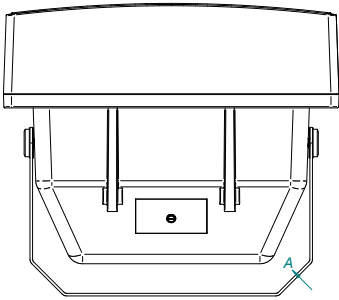
VERTICAL



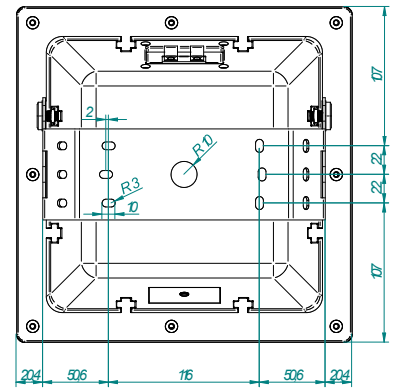
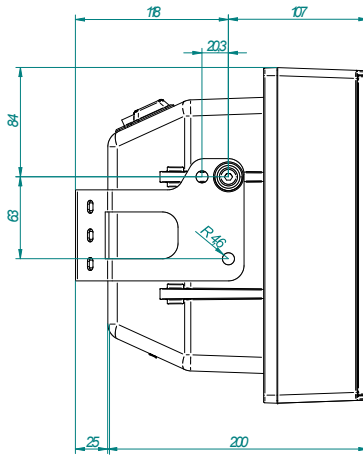
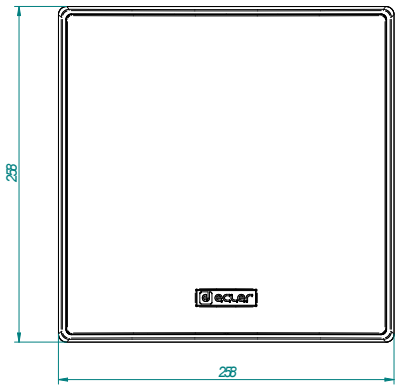
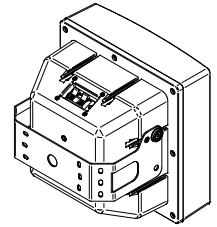
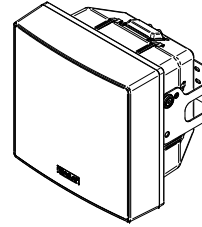
MECHANICAL DIAGRAM



Ecler AMBIT18 Mechanical Diagram



VSPA4



All the measurements are in mm

61-1147-0100

www.ecler.com

A&E SPECIFICATIONS

The loudspeaker shall be a 2-way full range wall-mount type consisting of an 8" woofer and a 1.18" dome tweeter suitable for 70/100 V line or low impedance installations. The power handling should be 100 W RMS at a nominal impedance of 8 Ω with a peak power handling of 400 W. It shall include a multi-tapping line transformer with tapings 7.5W / 15W / 30W / 60W @ 100V and 3.75W / 7.5W / 15W / 30W @ 70V.

The effective frequency range (± 10 dB) shall be from 75 Hz to 20 kHz. The sensitivity shall be 90 dB considering 1 W input signal at 1 meter distance. The maximum continuous sound pressure level shall be 110 dB, while the maximum peak pressure level shall be 116 dB considering the loudspeaker's rated power. The coverage angle shall be 125°x 120° (HxV) coverage pattern.

The enclosure shall be made of ABS plastic and the grill shall be made of aluminium. It shall be IP54 rated for outdoors installation. It shall come available in both white (RAL9016) and black (RAL9005) colours. Connection shall be made via terminal block, including wall-mount bracket, back rubber cover and safety sling.

The loudspeaker shall have a width of 258 mm, a high of 258 mm and a depth of 225 mm. The weight shall not exceed 5.6 kg. It shall have data files available that can be used with EASE acoustic simulation software.

The loudspeaker shall be the ECLER AMBIT-18.